



SOLENOID LOCK
SL 620

Solenoid lock with hybrid technology



SAFETRON SL620 is a next generation solenoid lock with split spindle function and a patent pending hybrid technology.

The lock is suitable for use in high frequency security applications such as, perimeter doors, entrance doors, gates and other applications within office, trading and industry premises as well as entrance doors and common areas within residential premises.

SL620 is equipped with the following monitoring outputs: bolt- and handle position, door status and cylinder/thumbturn alarm. SL620 is fail secure (PTO) and SL621 is fail safe (PTL).

SAFETRON hybrid technology

SAFETRON SL620 has an patent pending hybrid technology which enables the bolt position to be adjusted between ASSA connect and classic meaning SL620 can be used in all types of scandinavian type doors without the worry of which strike plate or lock model the door is manufactured for.

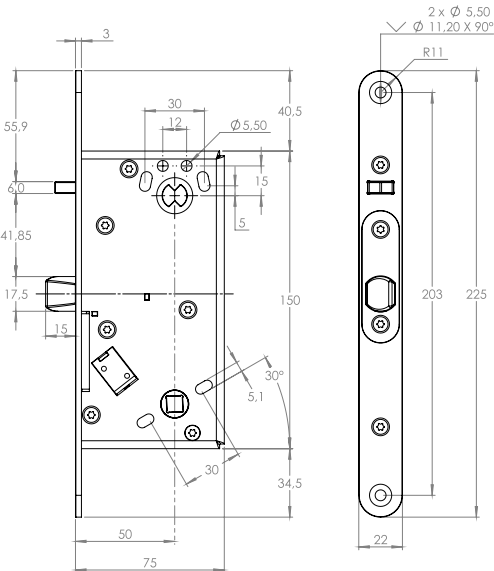
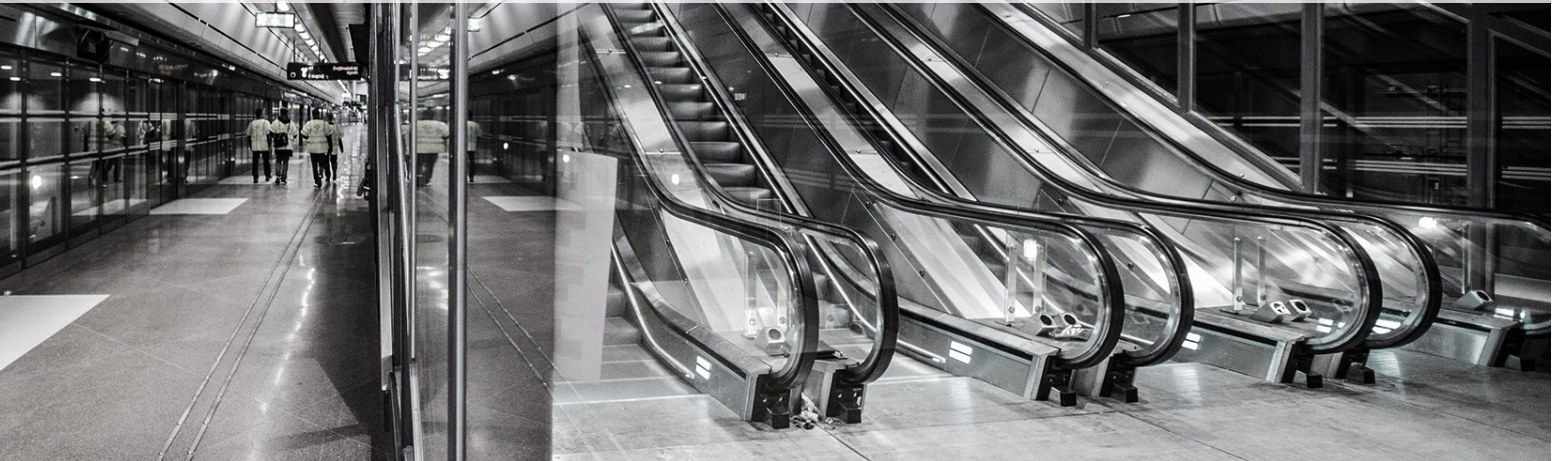
Split spindle function

SAFETRON SL620 has a split spindle function which means the inside handle is always mechanically operated where as the outside handle requires an electric impulse to activate. This function makes the door more user friendly and also eliminates the need for an extra open button on the inside.

Emergency exit device

SL620 is certified together with SAFETRON emergency exit device 793 according to SS-EN 179:2008. SAFETRON 793 enables emergency exit through the traditional door handle, increasing the usability as well as still being an certified emergency exit device. Signals from the handle is given through built-in sensors to ensure approved passage is made.





Fire proof

SAFETRON SL620 is certified to be used in fire proof doors up to grade F: 120 min (SS-EN 14846:2008).

Lowest power consumption on the market

Through clever engineering SL620 has the lowest power consumption on the market with only 25mA. This strongly contributes to a more cost-effective door environment, especially in large projects where power supply and back-up is a big factor of the total cost.

| DESCRIPTION | FUNCTION | ART NO |
|-----------------------------|-------------------|-----------|
| SAFETRON SL620 | Fail secure (PTO) | 202144819 |
| SAFETRON SL621 | Fail safe (PTL) | 202144820 |
| SAFETRON SL620 complete set | Fail secure (PTO) | 202144821 |
| SAFETRON SL621 complete set | Fail safe (PTL) | 202144822 |

Complete set: lock, cable C02 (10m), cable transfer CT81

Four lock modes

The split function is easily adjusted between left and right thanks to the patented mode selector. You can also set the lock in unlocked and a security setting.

Unlocked

Unlocked or “construction site mode” as we call it is a mode where both handles are mechanically activated without power. This mode is intended to be used on construction sites before the locks have been connected to the access control system.

Security mode

‘Secure’ indicates the security mode where both handles require an electric impulse to activate. This is a common setting where you have a higher security requirement.

